

**"the voice behind vehicle safety"**

O.W.L Design and manufacture a wide range of products for vehicle safety, security and information applications.

Products are supplied to vehicle manufacturers, body builders and fleet operators.

Current electronic technology and top quality real human speech brings a new dimension to every vehicle application.

Real human speech is the most effective form of communication available.

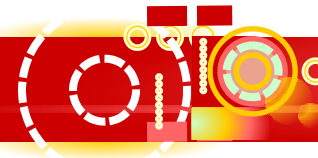
- immediately identify the nature of a potential danger.
- give verbal instructions on an appropriate course of action.
- no thinking time means an instant response.
- people generally follow instructions without question.
- different messages for driver and pedestrian from a single unit.
- male or female voice in any language, or multiples e.g. English/Welsh.
- individual messages specific to individual applications.
- personalised messages for individual customers.

Products are available for every type of vehicle application.

- reversing alarm
- handbrake warning system
- tailgate operation
- moving platform/deck
- refuse collection vehicle lifting and compacting operations
- psv passenger messages
- attack alarms on cash-in-transit vehicles, mobile libraries etc
- lorry loader or crane operation
- freezer body safety warnings
- bridge-bashing prevention alarm
- pedestrian alerts for street cleansing vehicles
- tipper body raised
- stabiliser jacks lowered
- intruder or theft alarm messages
- anti-hijack sounders
- airport baggage handling equipment

O.W.L can take your vehicle application from initial concept through design, development and prototype, to manufacture regardless of quantities required.

*O.W.L. Vehicle Electronic Systems Ltd*  
*O.W.L. House 113 Kettlebrook Road TAMWORTH B77 1AG*  
*tel 01827 60577 fax 01827 60579 email info@o-w-l.co.uk*



**Talking Safety Sounders  
for Electric Vehicles**



**Airport Vehicles**

**Tow Tractors**

**Load Carriers**

**Taxi Shuttles**

**Municipal Vehicles**

**Hospital Utility Vehicles**

**City Centre Delivery Trucks**

**Talking Safety Sounders  
can help prevent accidents  
and save pedestrians' lives.**

**O.W.L. Vehicle Electronic Systems Ltd**  
**"the voice behind vehicle safety"**

Electric vehicles frequently operate in close proximity to pedestrians.

Environmentally friendly electric vehicles are increasingly used in city centres, airports, leisure venues, and a wide variety of locations where pollution and noise needs to be avoided.

But if vehicle operators do not take care the benefits can be offset by potential hazards.



Pedestrians walk in front of and behind moving vehicles, totally oblivious of the potential danger.

The problem can be exaggerated with electric vehicles because the relatively low speed can be deceptive. The low engine noise level can make it difficult to determine the vehicle's distance or how fast it is approaching.

It's even more difficult where there are high levels of background noise, or off-highway where pedestrians believe that there is no danger so long as they are not walking on the road.

Even when fitted with warning horns or beepers the danger is often ignored. It is difficult to identify the source and direction of these types of sounder.

### **BigMouth® Talking Safety Sounders overcome the problem.**

The commanding real human voice message tells the pedestrian

*"Please stand clear... vehicle approaching".*

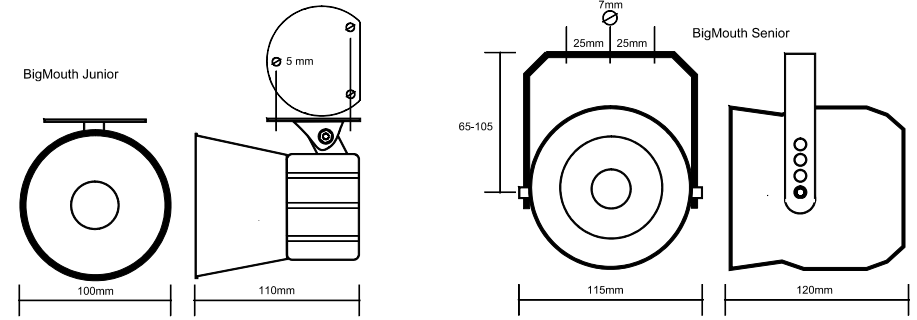
The voice is directional and can be clearly heard where it really matters - in front of (or behind) the approaching vehicle. This means that there is no confusion and the pedestrian responds immediately.

It also means that the warning is effective without being intrusive and avoids complaints of noise pollution.

### **Simple Operation - bespoke warning messages**

For forward movement warning, the message sounds once on a simple push button. For reversing the message sounds automatically.

The precise wording of the warning message may be specified to suit individual vehicle types, or customer applications.



### **BigMouth® Junior**

This model is typically fitted to smaller vehicles and pedestrian operated appliances where space may be at a premium.

### **BigMouth® Senior**

This model is typically fitted to larger tow tractors or municipal vehicles. The high-performance loudspeaker gives excellent quality speech reproduction.

When supplied as talking reversing alarms, both Junior and Senior models provide for automatic night-silent operation.

### **Flexibility for Special Requirements**

Smaller bulkhead-mounted marine speakers are available with the electronics encapsulated in a separate enclosure to suit individual vehicle designs.

### **You choose the best solution for your vehicle!**



### **BigMouth® Talking Safety Alarms**

- 12/24volts
- reverse polarity & over-voltage protected
- auto-reset internal overload fuse
- weatherproof abs plastic enclosures
- vibration proof encapsulated electronics
- automatic night-silent facility (selectable)
- 90dBA - variable to customer specification
- choice of tones and message
- dual message versions available