

Talking Safety Sounders for Refuse Collection and Recycling Vehicles



Hook Loaders and Skip Loaders

Bin Lifters and Compactors

Waste Paper and Recycling Collectors

Front End Loaders

Crews on refuse collection rounds always seem to be in a hurry.

Room to manoeuvre is often restricted on traffic-laden streets and when it comes to handling skips the driver usually operates alone.

Talking Safety Sounders can help prevent accidents and save lives.

With vehicle movement and equipment operation refuse collection is potentially hazardous.

Whether it's constant starting and stopping, bin lifting, compacting or emptying there is always the possibility of accidents happening.

And it is not just pedestrians on the street who are at risk.

Crew members are often involved in accidents simply because the driver, or another operative didn't see them. Even with rear-facing cameras fitted, the driver cannot always avoid the problem of someone stepping out behind the vehicle.

When it comes to skip loading or unloading the driver is often faced with people moving at random around the vehicle totally oblivious of the danger.



BigMouth® Talking Safety Sounders help to overcome the problem.

The commanding real human voice message warns the pedestrian

"Danger...stand clear" or "Stand clear...skip loading"

The voice is directional and can be clearly heard where it really matters - in the danger zone.

The obvious application is a talking reversing alarm *"Attention...this vehicle is reversing"*

However the precise message can be tailored to individual vehicle types and applications, so there is no confusion and the pedestrian responds immediately.

Similarly, messages may be used to warn the driver of potential hazards e.g.

"Do not drive...arms raised", "Driver...apply the handbrake", "Do not drive...equipment not stowed"

BigMouth® Talking Warning Sounders

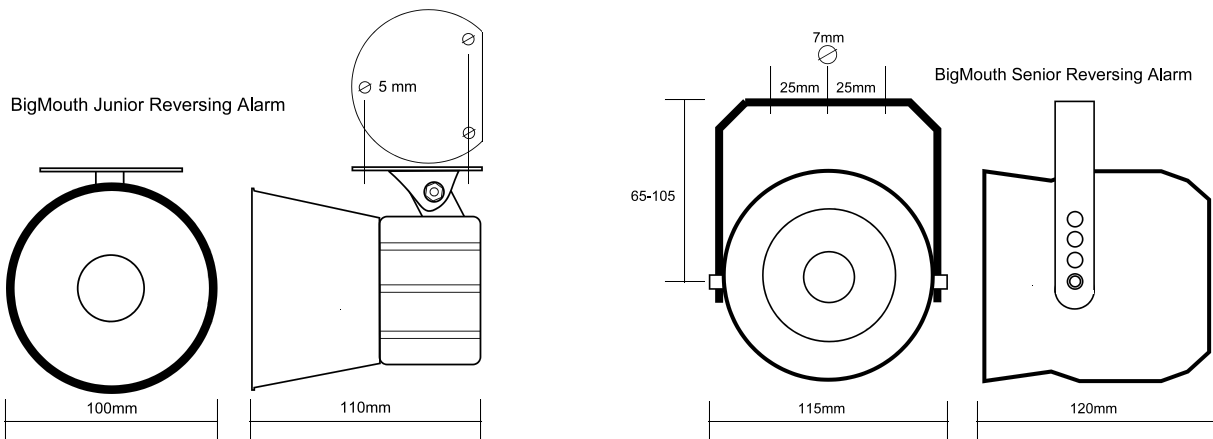
- are manufactured in the UK, independently tested and carry the "ce" or "e" mark as appropriate.
- operate on 12/24volts.
- are fully encapsulated for weatherproofing and carry a minimum two year warranty.

O.W.L. Vehicle Electronic Systems Ltd O.W.L. House PO Box 1330 TAMWORTH B77 1AW
Tel 01827 60577 fax 01827 60579 email info@o-w-l.co.uk
"the voice behind vehicle safety"



BigMouth® Talking Warning Sounders - specification summary

- 12/24volt operation
- reverse polarity & over-voltage protected
- auto-reset internal overload fuse
- weatherproof abs plastic enclosures
- vibration proof encapsulated electronics
- automatic night-silent facility
- 90dBA - variable to customer specification
- choice of tones and message



Both of the above units are available as reversing alarms or with alternative messages for specialist applications.

Alternatively the electronics may be encapsulated in a separate enclosure and supplied with waterproof bulkhead speakers for external fitting, or small communications speakers for in-cab fitting.

NIGHT-SILENT OPTIONS FOR REVERSING ALARMS

Automatic - all models have a third wire for optional connection to the sidelight circuit. This automatically disables the reversing alarm when the vehicle's sidelights are on.

Double-engage - this option allows the reversing alarm to be temporarily disabled by engaging reverse, then neutral, then reverse again in quick succession. The reversing alarm is automatically restored to normal operation the next time reverse gear is selected.

Over-ride timer - with this option fitted the reversing alarm normally functions with the automatic night-silent facility as above, i.e. it sounds whilst the vehicle's lights are off and is disabled when the lights are on. A single press of the dash-mounted push button reverses the over-ride function so that the alarm sounds when the lights are on and is disabled when the lights are off. A built-in timer allows multiple gear changes to take place without affecting the status of the reversing alarm for about 4 minutes, allowing even complex manoeuvres to be completed.

Real human speech is the most effective form of communication. It immediately identifies the nature of a potential danger and gives clear instructions on an appropriate course of action. No thinking time means an instant response. People generally follow verbal instructions without question so it is ideal for communicating with driver, passengers or pedestrians.

A small selection of additional applications

- reversing alarm
- tailgate operation
- moving platform/deck
- refuse collection vehicle lifting and compacting
- psv passenger messages
- attack alarms for cash-in-transit, mobile libraries etc
- lorry loader or crane operation
- freezer body safety warnings
- pedestrian alerts for street cleansing vehicles
- handbrake warning
- tipper body raised
- stabiliser jacks lowered
- intruder or theft alarm messages
- anti-hijack sounders